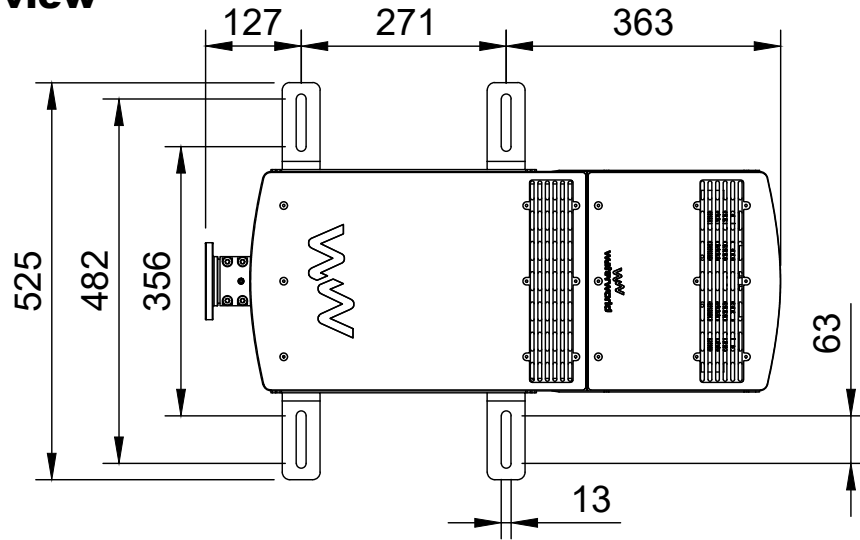
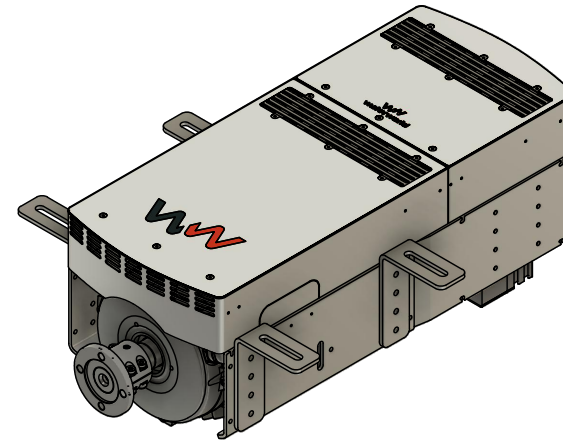


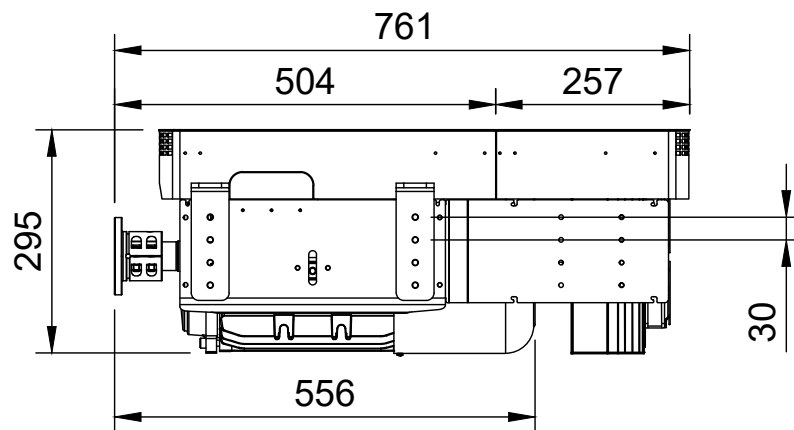
**Top view**



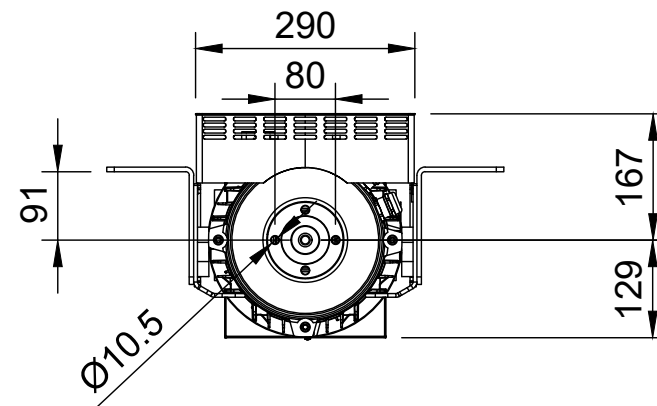
**Isometric view**




**Side view**



**Front view**



	Title		Article No.		
	20 kW Inboard motor		WW-12xx200A		
	Created by		Drawing scale	Units	Paper size
S.R. Roorda		1:10	mm	A4	
Document type		Rev.	Date of issue		Sheet
Dimension drawing		1	25-3-2024		1/1