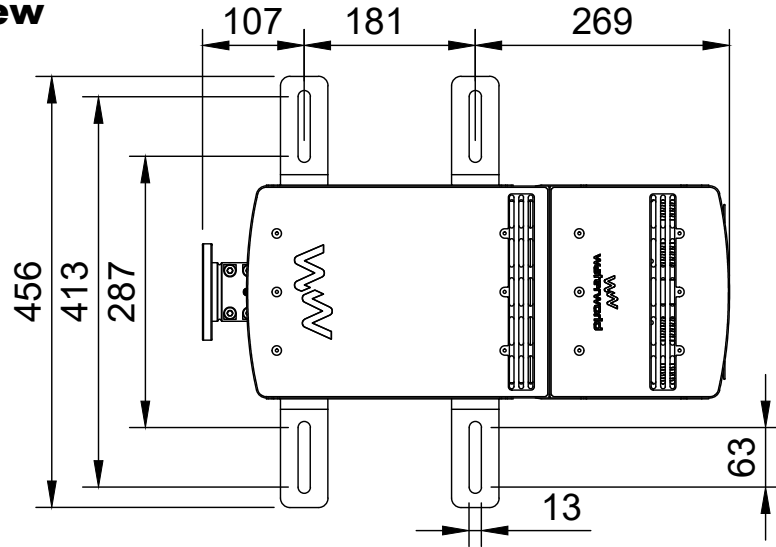
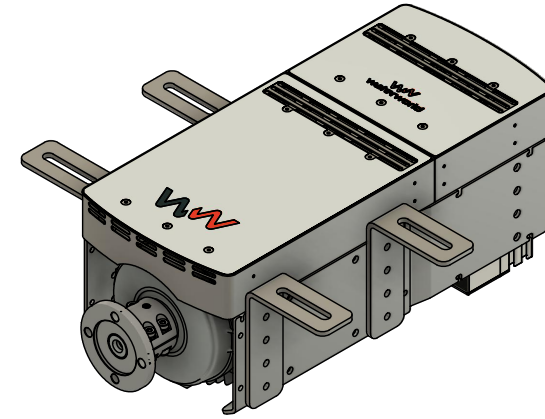


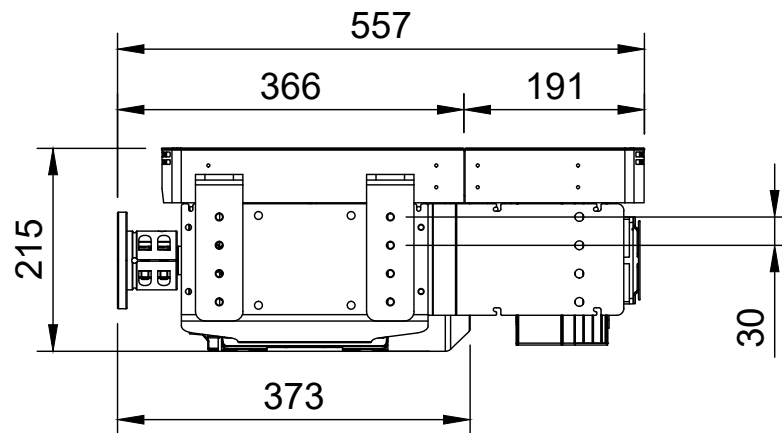
Top view



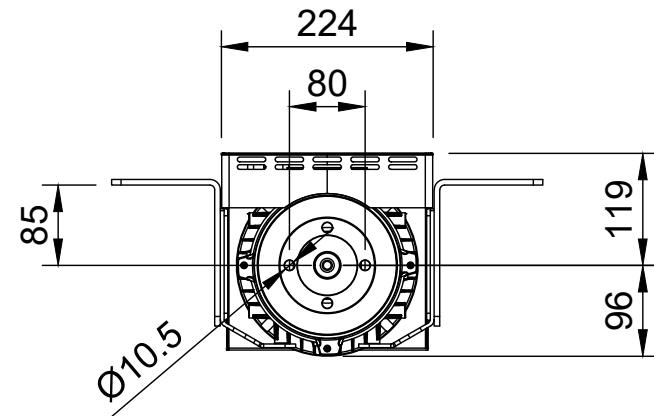
Isometric view




Side view



Front view



	Title		Article No.		
	4 kW Inboard motor		WW-12xx040A		
	Created by		Drawing scale	Units	Paper size
	S.R. Roorda		1:8	mm	A4
Document type		Rev.	Date of issue		Sheet
Dimension drawing		1	8-3-2024		1/1